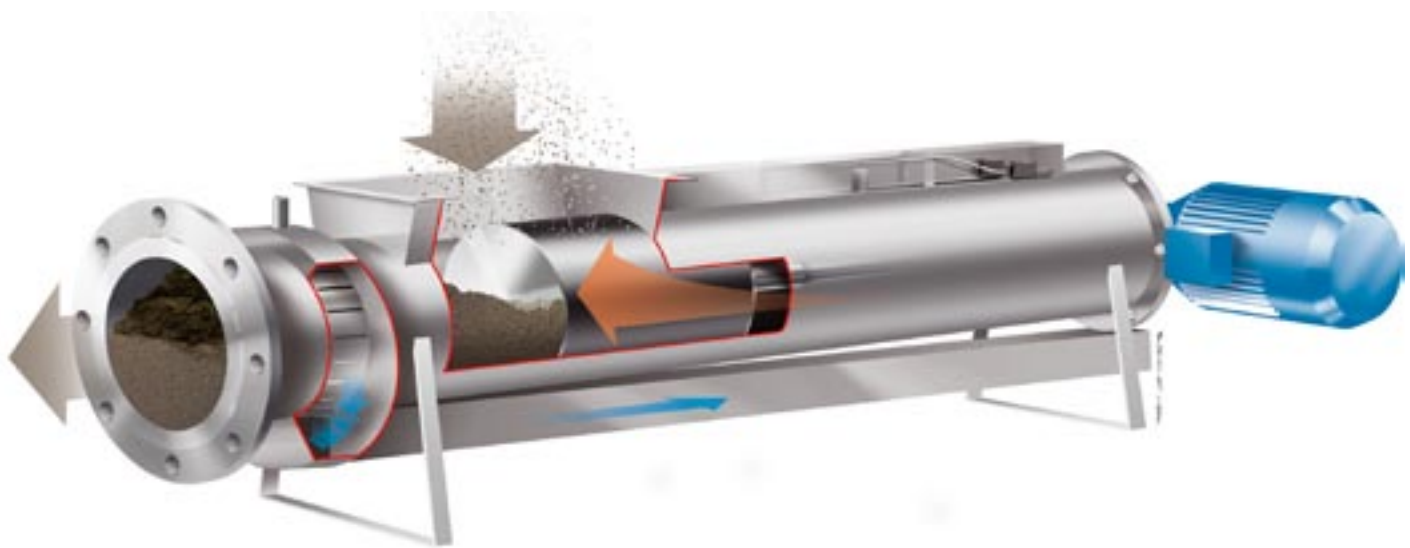


# ROTO-SIEVE® PISTON PRESS



**Roto-Sieve piston presses from Läckeby Products combine the good dewatering capacity of a screw press with the capability of a hydraulic press to lift and transport the dewatered material. This is made possible by the drive system's flexibility.**

## Function

The piston in the press housing is driven forward by a worm gear or flat gear motor and a trapezoidal threaded shaft. On the piston there is a guiding pin, which activates the microswitches positioned at each end of the piston stroke. The forward microswitch steers the piston's turning point to a press zone with openings for high dewatering or past the openings if a less dry material is required. Maximum dewatering can be achieved by extending the interval in the press zone. Extra microswitches at each end ensure that the piston does not go too far if any of the ordinary microswitches malfunctions.

To create the resistance required for dewatering, the piston press should be connected to a press pipe with a lifting height, or a short press pipe with an adjustable counter-pressure device. Press water and flushing water is collected in a fixed trough underneath the press housing.

## Technical features

- Flexible drive system
- Efficient dewatering capability
- Compact design
- High operational reliability

## Process benefits

- Maximises dewatering
- Transports and lifts dewatered material
- Reduces required floor space
- Minimises maintenance needs

## Design

Piston presses are available in two models and are manufactured as standard in stainless steel (1.4301) or (1.4436)

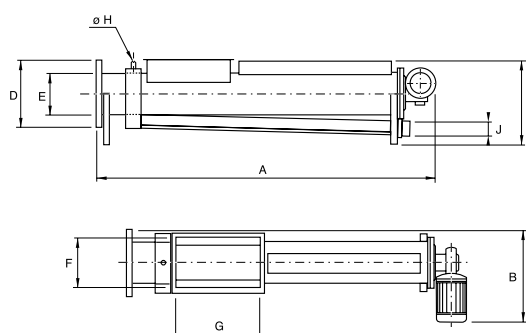
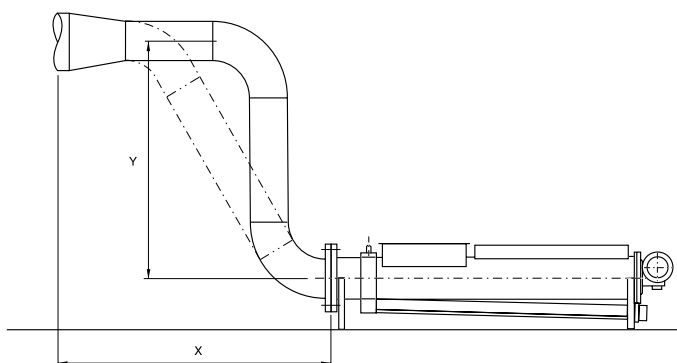
**KP 200:** Press housing with 200 mm diameter, hopper-opening 500x200 mm, motor power 1.1 kW, normal capacity 0.3-0.5 m<sup>3</sup>/h and an outgoing dry substance rated at approx. 25%.

**KP250:** Press housing with 250 mm diameter, hopper-opening 400x250 mm, motor power 1.5 kW, normal capacity 0.5-0.7 m<sup>3</sup>/h and an outgoing dry substance rated at approx. 25%.

For special applications, piston presses can be supplied with a range of motor powers to meet increased requirements for lifting height or capacity. Läckeby Products also manufactures and customises a number of practical accessories for piston presses such as; discharge chutes, regulator cones, pressure pipes, spring-loaded counter forces, sack magazines and electric control cabinets.

## Technical data

			KP 200	KP 250
A	Total length, standard	mm	1892	1892/2157*
B	Width	mm	485	522
C	Height	mm	450	508
D	Flange, PN 10		DN 200	DN 250
E	Diameter, inside	mm	200	250
F	Inside hopper width	mm	200	250
G	Inside hopper length, standard	mm	500	400
H	Spray water connection, outside	mm	19	19
J	Water trough connection, outside	mm	76	76
P	Motor power, standard/special	kW	1.1	1.5/2.2*
Q	Capacity, normal	m <sup>3</sup> /h	0.3-0.5	0.5-0.7
R	Voltage - 400 V	A	2.81	3.55/5.22



## Recommendations for installation of Roto-Sieve piston presses at municipal wastewater treatment plants

			KP 200	KP 250
	INTERVAL, Normal - Press position / Pause position	s	8/180	8/180
Y	LIFTING HEIGHT, with bends, 2x90° / 2x45°, without increase in pipe size	m	1.5-2.0	1.5-2.5*
X	TRANSPORT LENGTH, after lifting, without increase in pipe size	m	1.5-2.0	2.0-4.0*
X	TRANSPORT LENGTH, after lifting, with increase in pipe size	m	2.0-5.0	4.0-8.0*
	TRANSPORT LENGTH, without lifting, with max. one bend	m	5.0-8.0	8.0-10.0*

\* With more powerful motor.

## References

Läckeby Products has supplied more than 275 piston presses to both industrial and municipal plants worldwide.

*Läckeby Products develops, designs and manufactures piston presses. Coordinated expertise and production ensures high quality service and delivery. Läckeby Products can also participate in the planning stage and take on responsibility for everything from dimensioning to installation. Through our involvement at the planning stage, we can offer a total process guarantee.*

## LÄCKEBY PRODUCTS

**Läckeby** Mosekrogsvägen 2, SE 380 31 Läckeby, Sweden  
Phone +46 480-381 00  
Fax +46 480-606 63

**Kungälv** Bultgatan 28, SE 442 40 Kungälv, Sweden  
Phone +46 303-24 64 80  
Fax +46 303-928 90

www.lackebyproducts.com